

WATER FLOW →

Note: Other fixing methods available for different culvert materials. Wedge anchor show below.

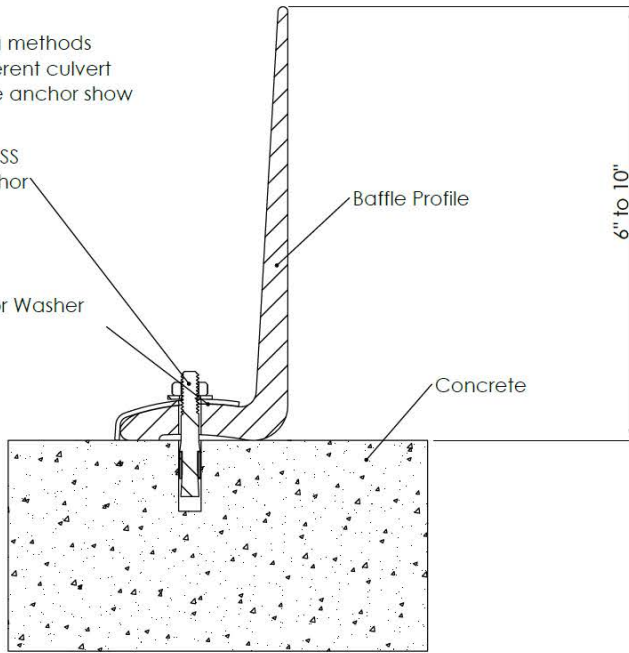
1/4"x 2" - 304SS
Wedge Anchor

Baffle Profile

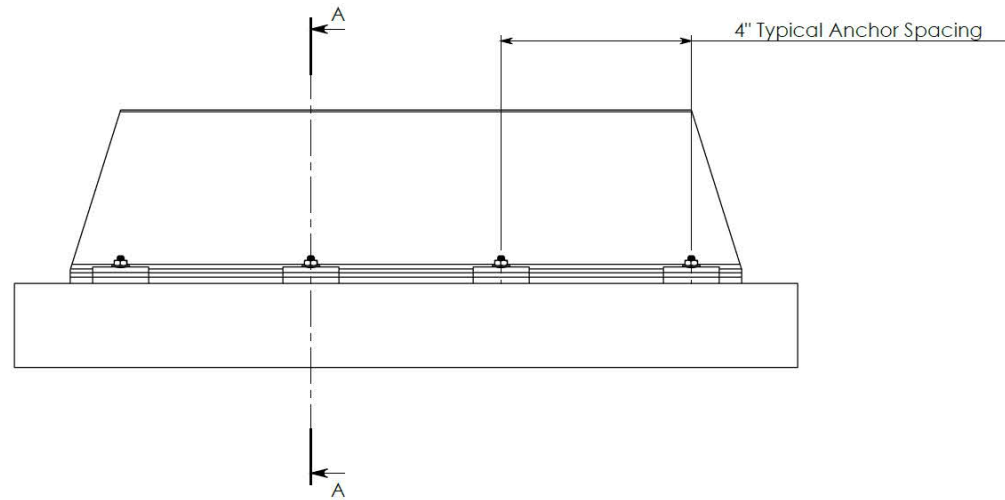
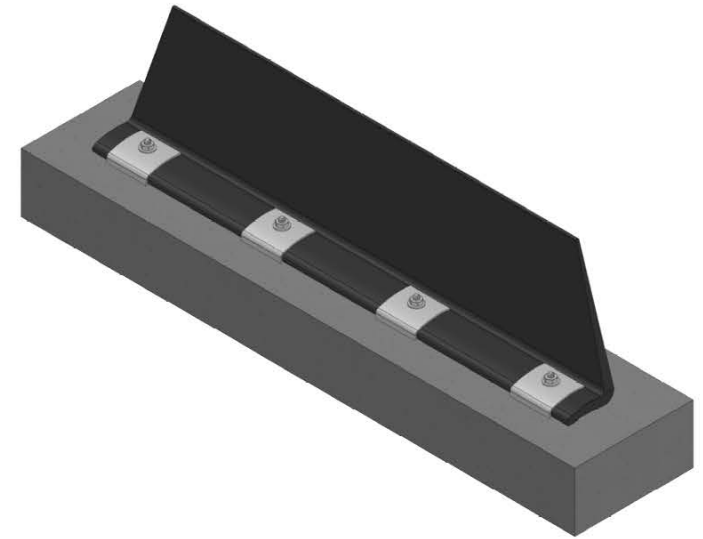
Cleat Plate or Washer
1" - 304SS

Concrete

6" to 10"



SECTION A-A
SCALE 1 : 2



© COPYRIGHT / ATS ENVIRONMENTAL LTD THIS DRAWING IS THE PROPERTY OF ATS ENVIRONMENTAL LTD AND MUST NOT BE COPIED OR DISCLOSED TO ANY THIRD PARTY WITHOUT THE WRITTEN CONSENT OF THE COMPANY							
REV	DATE	CHANGE	NAME	REV	DATE	CHANGE	NAME
1	17/10/19	Issued for information	MJT				

MATERIAL
FINISH

GENERAL TOLERANCES UNLESS OTHERWISE SPECIFIED 0 = ±0.5 0.0 = ±0.1 0.00 = ±0.05	THIRD ANGLE PROJECTION
DIMENSIONS IN MILLIMETRES	DESIGNER: ATS Environmental DRAWN: MJT DATE: 17/10/19 CHECKED:

MACHINED SURFACE FINISH UNLESS OTHERWISE SPECIFIED 	DIMENSIONS IN MILLIMETRES
TITLE: Baffle Mounting Arrangement	

ATS Environmental PO Box 177, Whakatane 3158, NZ Ph: 07 312 4647, Fax: 07 312 4650 Web: www.ats-environmental.com		SCALE: 1:50 SHEET: 1 of 1 NUMBER: 1710191145 REV: 1
---	--	--