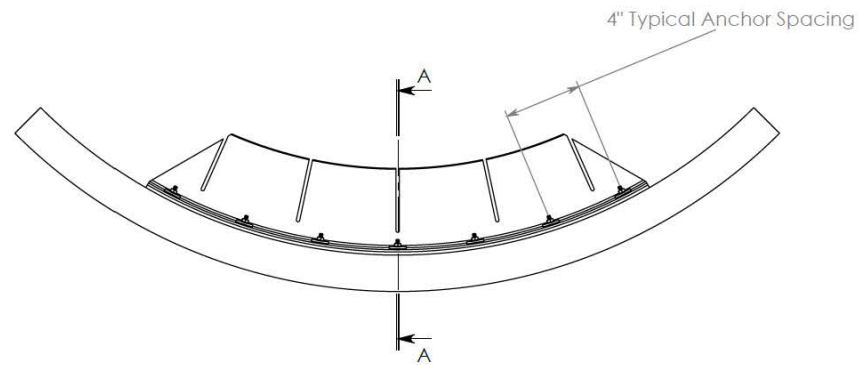
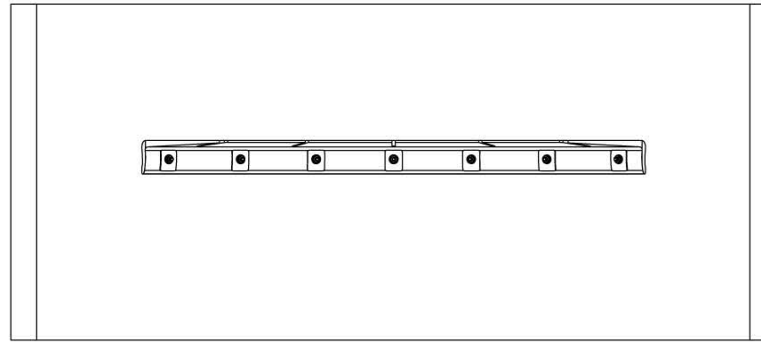
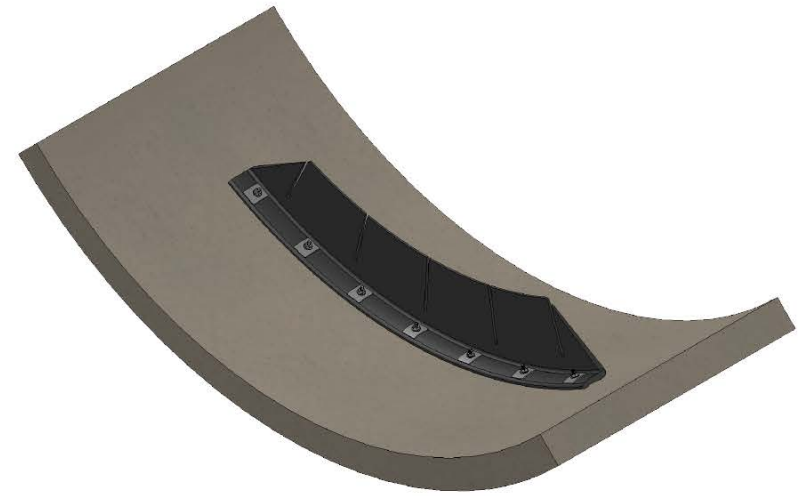


SECTION A-A  
SCALE 1 : 2



<small>© COPYRIGHT : ATS ENVIRONMENTAL LTD THIS DRAWING IS THE PROPERTY OF ATS ENVIRONMENTAL LTD AND MUST NOT BE COPIED OR DISCLOSED TO ANY THIRD PARTY WITHOUT THE WRITTEN CONSENT OF THE COMPANY</small>		<small>NAME</small>		<small>REV</small>		<small>DATE</small>		<small>CHANGE</small>		<small>NAME</small>	
<small>REV</small>	<small>DATE</small>	<small>CHANGE</small>	<small>NAME</small>	<small>REV</small>	<small>DATE</small>	<small>CHANGE</small>					
1	26/07/23	Issued for information	MJT								

<b>MATERIAL</b>
<b>FINISH</b>

<small>GENERAL TOLERANCES UNLESS OTHERWISE SPECIFIED</small> 0 = ±0.5 0.0 = ±0.1 0.00 = ±0.05	<small>UNLESS OTHERWISE SPECIFIED</small> 0.1
<small>MACHINED SURFACE FINISH UNLESS OTHERWISE SPECIFIED</small> 1.5	

<small>THIRD ANGLE PROJECTION</small> 
<small>DIMENSIONS IN MILLIMETRES</small>

<small>DESIGNER</small> ATS Environmental <small>DRAWN</small> MJT <small>DATE</small> 29/07/23
<small>CHECKED</small>

<b>ATS Environmental</b> <small>PO Box 177, Whakatane 3158, NZ          Ph : 07 312 4647, Fax: 07 312 4650          Web: www.ats-environmental.com</small>		
<small>SCALE</small> 1:50	<small>SHEET</small> 1 of 1	<small>A3</small>
<small>TITLE</small> Baffle Mounting Arrangement - Pipe	<small>NUMBER</small> 1625290723	<small>REV</small> x