

WATER FLOW----->

Note: Other fixing methods available for different culvert materials. Wedge anchor show below.

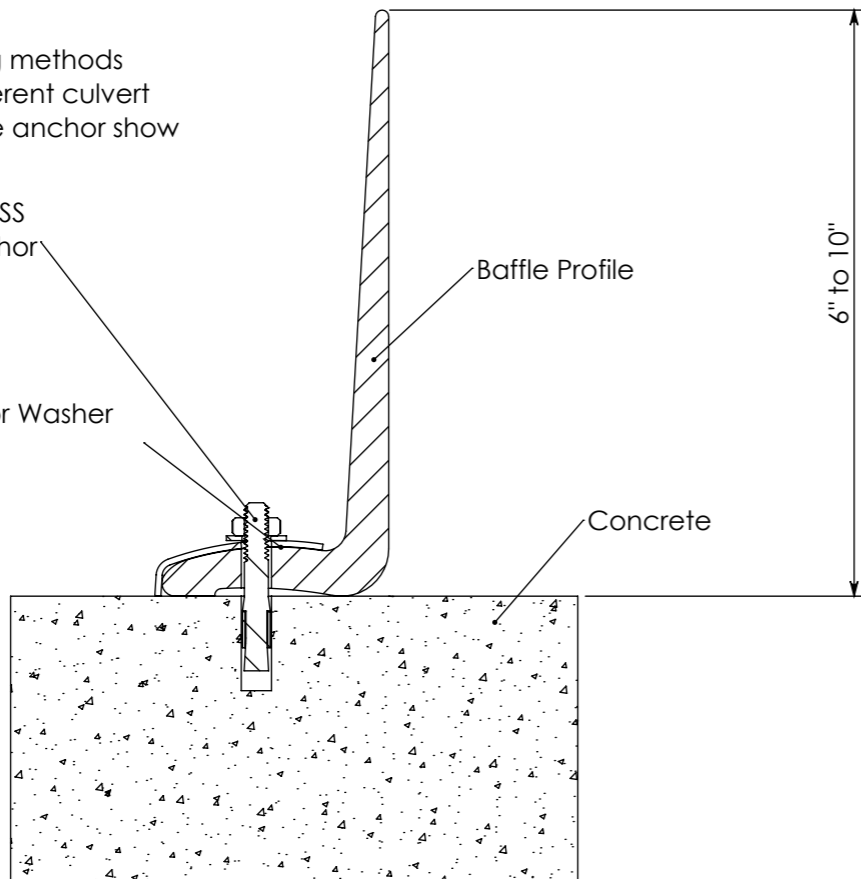
1/4"x 2" - 304SS
Wedge Anchor

Cleat Plate or Washer
1" - 304SS

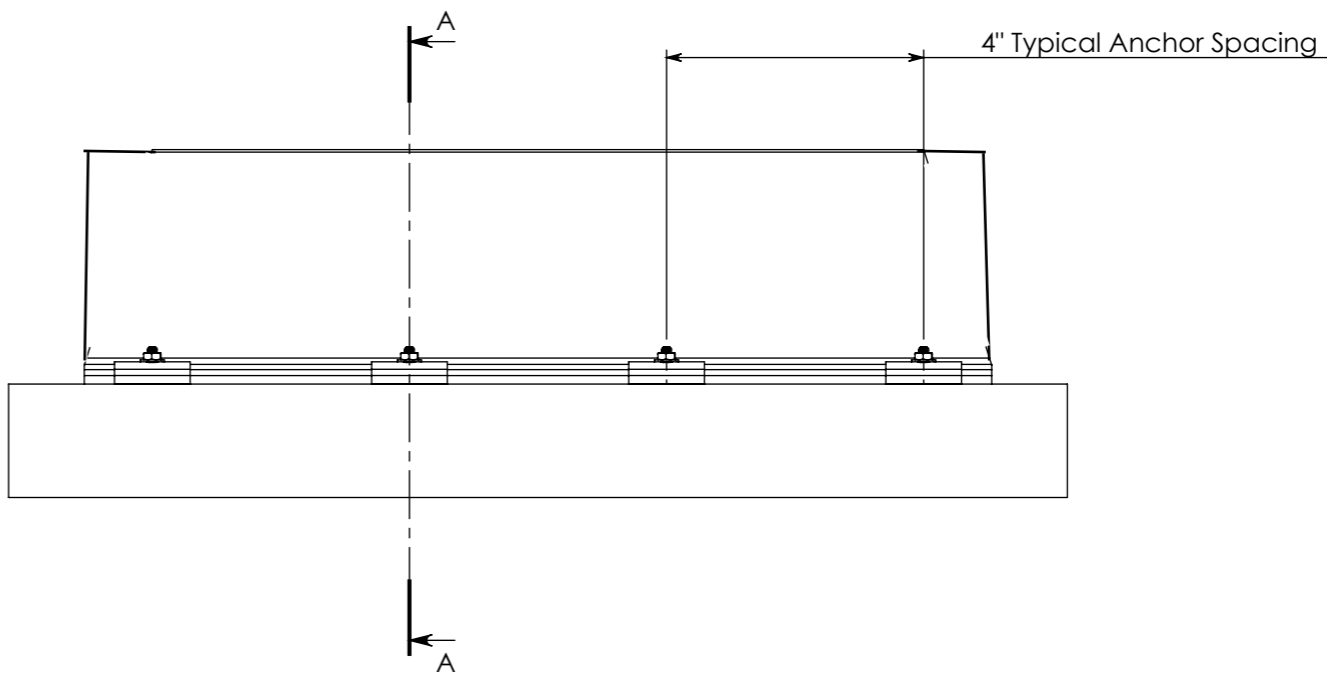
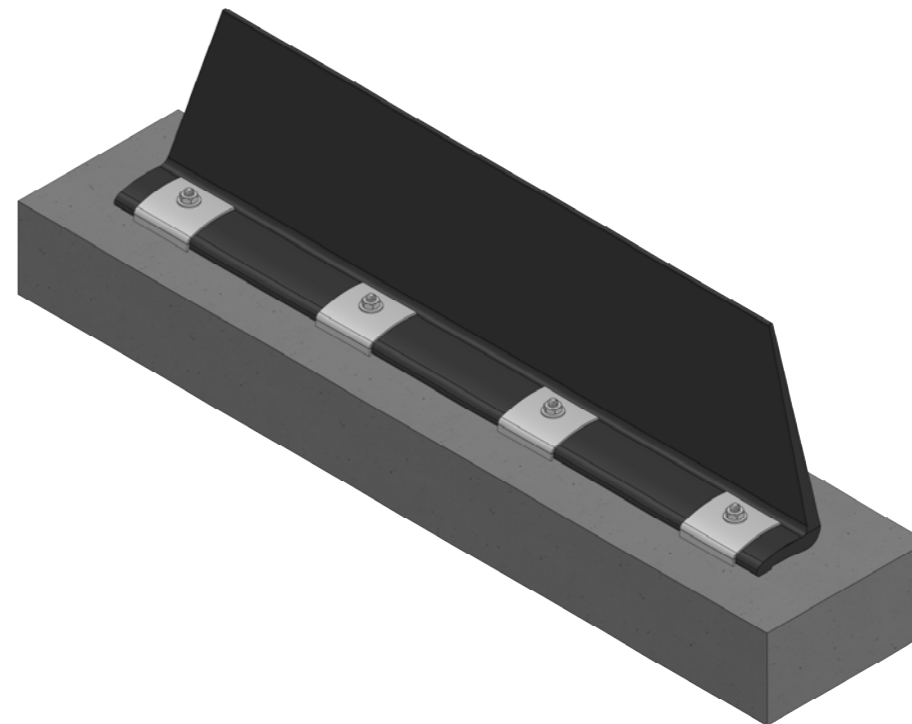
Baffle Profile

Concrete

6" to 10"



SECTION A-A
SCALE 1 : 2



COPYRIGHT : ATS ENVIRONMENTAL LTD		THIS DRAWING IS THE PROPERTY OF ATS ENVIRONMENTAL LTD AND MUST NOT BE COPIED OR DISCLOSED TO ANY THIRD PARTY WITHOUT THE WRITTEN CONSENT OF THE COMPANY					
REV	DATE	CHANGE	NAME	REV	DATE	CHANGE	NAME
1	17/10/19	Issued for information	MJT				

MATERIAL
FINISH

GENERAL TOLERANCES UNLESS OTHERWISE SPECIFIED
0 = ±0.5
0.0 = ±0.1
0.00 = ±0.05
0.1 ϕ UNLESS OTHERWISE SPECIFIED
MACHINED SURFACE FINISH UNLESS OTHERWISE SPECIFIED
1.6 ∇

THIRD ANGLE PROJECTION
DIMENSIONS IN MILLIMETRES

DESIGNER	ATS Environmental
DRAWN	MJT
DATE	17/10/19
CHECKED	

ATS Environmental	
PO Box 177, Whakatane 3158, NZ Ph : 07 312 4647, Fax: 07 312 4650 Web: www.ats-environmental.com	
SCALE	1:50
SHEET	1 of 1
NUMBER	1710191145
REV	1

REMOVE ALL SHARP EDGES - DO NOT SCALE - IF IN DOUBT ASK

MODEL: Baffle Mounting Arrangement